



# Quadro3 Euro4

## Spare Part Catalogue

issue date: 15/11/2017

**Vehicle Type: 633 03**



**Vehicle Color:**

**Color code:**

**RAW BLACK**

**(-)131**

**SNOW WHITE**

**(-)243**

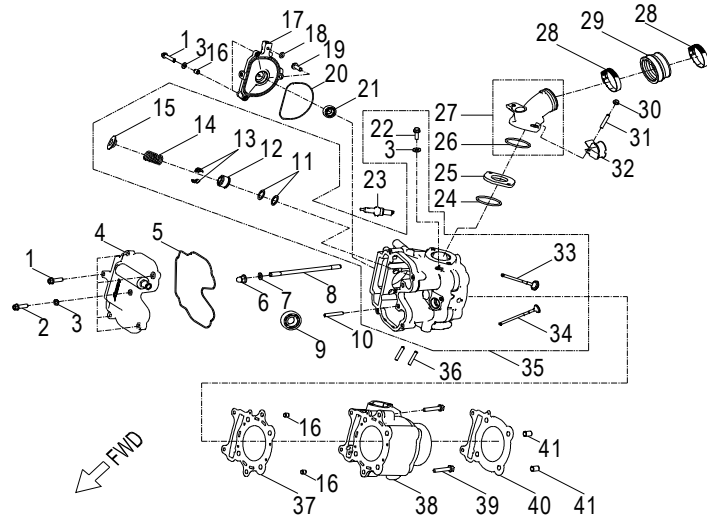
**SWISS RED**

**(-)358**

**TITANIUM GRAY**

**(-)850**

## D-1:CYLINDER HEAD



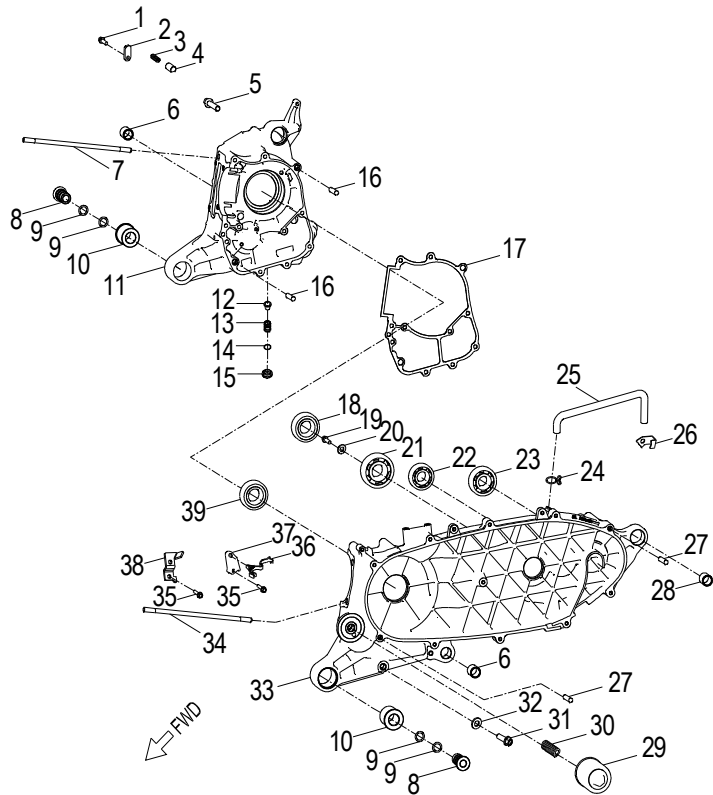
ITEM	DESCRIPTION	P/N	Q"TY	Note
1	Bolt	QS00006025808C	7	M6*P1.0*25L
2	Bolt	QS00006030808C	1	M6*P1.0*30L
3	Washer	QS101061201000U	3	φ6.5*φ12*t1
4	Asm., Head Cover	QS1231069T0	1	
5	Gasket , Head Cover	QS39169S000	1	
6	Nut	QS0220600000C	2	
7	Washer	QS1010613020U00	2	
8	Stud	QS00106115800C	2	
9	Bearing, Ball	QS1006002000000	1	
10	Pin, Dowell	QS47569S000	2	
11	Seat, Valve, Spring, Outer	QS77569S000	8	
12	Seal, Valve	QS20962B000	4	
13	Clip, Retainer	QS78169S000	8	
14	Spring, Valve, Outer	QS75169S000	4	
15	Retainer, Valve, Spring	QS77169S000	4	
16	Pin, Dowel	QS30108080	4	
17	Cover, Head , RH	QS33169S000	1	
18	O-Ring	QS21600725	1	
19	Bolt	QS00006020808C	1	M6*P1.0*20L
20	Gasket, Cam Cover	QS33269S000	1	
21	Bearing, Ball	QS10060000Z00C3	1	
22	Bolt	QS00006012808C	1	M6*P1.0*12L
23	Plug, Spark	QS9807650N000	1	
24	O-Ring	QS21004320	1	
25	Insulator, Cylinder head	QS11269S000	1	
26	O-Ring	QS21004330	1	
27	Asm., Manifold, Intake	QS1710069N000	1	
28	Strap	QS52004064	2	
29	Adapter, Carburetor	QS14636I000	1	
30	Nut	QS0500600000C	2	M6*P1.0
31	Stud	QS00106040800C	2	M6*P1.0*40L
32	Bracket, Brake Switch	QS465202000	1	
33	Valve, Intake	QS71169S000	2	
34	Valve, Exhaust	QS72169S000	2	
35	Cylinder Head Comp	QS1220769E0	1	
36	Stud	QS001080468C	2	
37	Gasket Set	QS1225069S001	1	
38	Cylinder	QS10069S000	1	
39	Bolt	QS00006030808C	2	M6*P1.0*30L
40	Gasket, Cylinder	QS19169S000	1	







## D-4:CRANKCASE



ITEM	DESCRIPTION	P/N	Q"TY	Note
1	Bolt	QS00006016808C	1	M6*P1.0*16L
2	Barrier, Crankshaft	QS00469N000	1	
3	Spring, Barrier	QS10869N000	1	
4	Pin, Barrier	QS00369N000	1	
5	Bolt	QS00006050808C	3	M6*P1.0*50L
6	Bush, Kickstand	QS10962U001	2	
7	Stud	QS00108181800B	2	
8	Collar, Shaft, Swing	QS1123062U0	2	
9	O-Ring	QS21001525	4	15*2.5
10	Bush, Rubber	QS20962U000	2	
11	Crankcase, Rh	QS10162U002	1	
12	Screen	QS421119000	1	
13	Spring, Screen	QS426119000	1	
14	O-Ring	QS21203132	1	
15	Plug, Drain, Oil	QS334119000	1	
16	Pin, Dowel	QS30110140	2	φ10*14L
17	Gasket	QS19162U000	1	
18	Seal, Oil	QS504253807FKM	1	
19	Bolt	QS00006012808C	1	M6*P1.0*12L
20	Washer	QS1080618020000	1	
21	Bearing, Ball	QS1006305000000	1	
22	Bearing, Ball	QS1006204000000	1	
23	Bearing, Ball	QS1006304000000	1	
24	Clip	QS51012012	1	12*1.2
25	Fuel Hose, Discharge	QS1753250N000	1	
26	Bracket, Carburator Tube	QS35150N001	1	
27	Pin, Dowel	QS30108140	2	8*14
28	Bushing	QS400102828	1	
29	Filter, Oil	QS1550039A0	1	
30	Bolt, Oil Filter	QS10539A000	1	
31	Bolt	QS00312015817C	1	M12*P1.25*15L
32	Washer	QS101122132000L	1	φ12.1*φ21.3*t2
33	Crankcase, Lh	QS20162U000	1	
34	Stud	QS00108188800B	2	
35	Bolt	QS00006012808C	2	M6*P1.0*12L
36	Ground Cable, Battery	QS755207000	1	
37	Bracket, Brake Switch	QS465203000	1	
38	Fix Plate	QS50211261000	1	
39	Seal, Oil	QS504304807FKM	1	













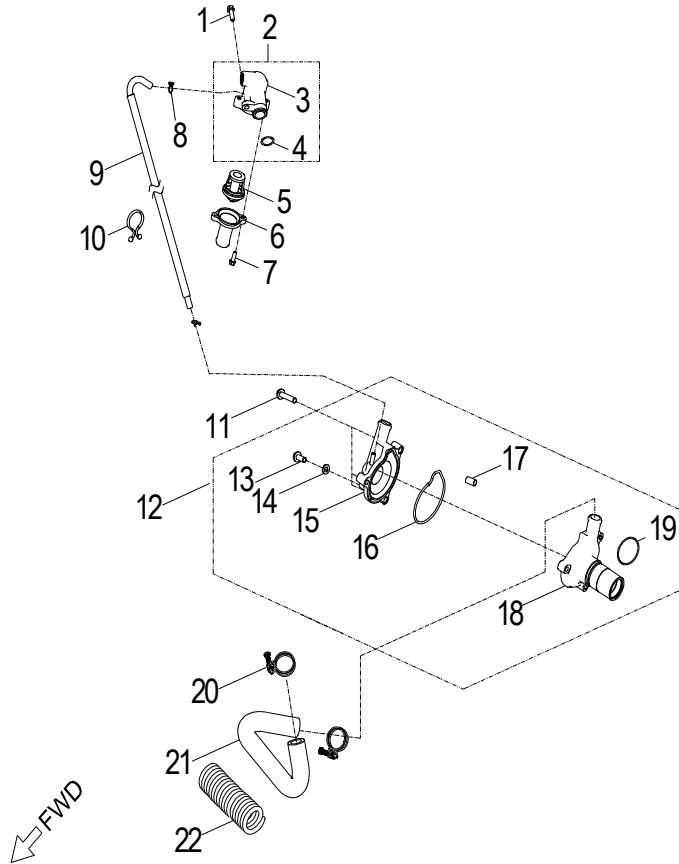








# D-13:WATER PUMP

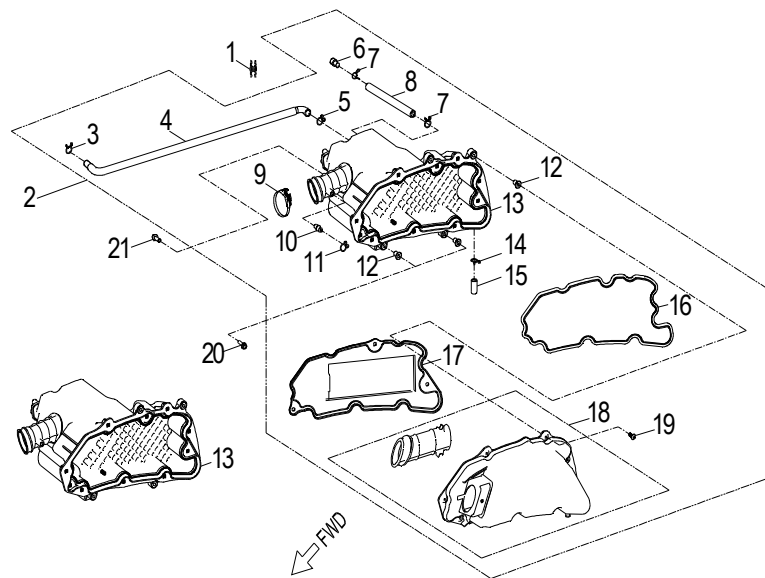


ITEM	DESCRIPTION	P/N	Q'TY	Note
1	Bolt	QS00006018808C	1	M6*P1.0*18L
2	Sensor, Thermosatic	QS31069N000	1	
3	Housing, Thermosatic	QS31169N000	1	
4	O-Ring	QS21201719	1	
5	Bimetal, Thermosatic	QS30062U001	1	
6	Flange, Thermosatic	QS31550N000	1	
7	Bolt	QS00005016800C	2	M5*P0.8*16L
8	Clamp	QS9451507A06	2	
9	Hose, Bypass, Thermosatic	QS50550T000	1	
10	Cable	QS755204000	1	
11	Bolt	QS00006040808C	3	M6*P1.0*40L
12	Asm., Water Pump	QS1921062U0	1	
13	Bolt	QS00006012808C	1	M6*P1.0*12L
14	Washer	QS101061201000U	1	φ6.5*φ12*t1
15	Flange, Water Pump	QS22162U000	1	
16	Gasket	QS22950A000	1	
17	Pin, Dowel	QS30108140	2	8*14
18	Body, Water Pump	QS21150A000	1	
19	O-Ring	QS21002920	1	29*2.0
20	Clamp	QS22250A000	2	
21	Hose	QS1950262U0	1	
22	Spring, Coolant Hose	QS50762U000	1	



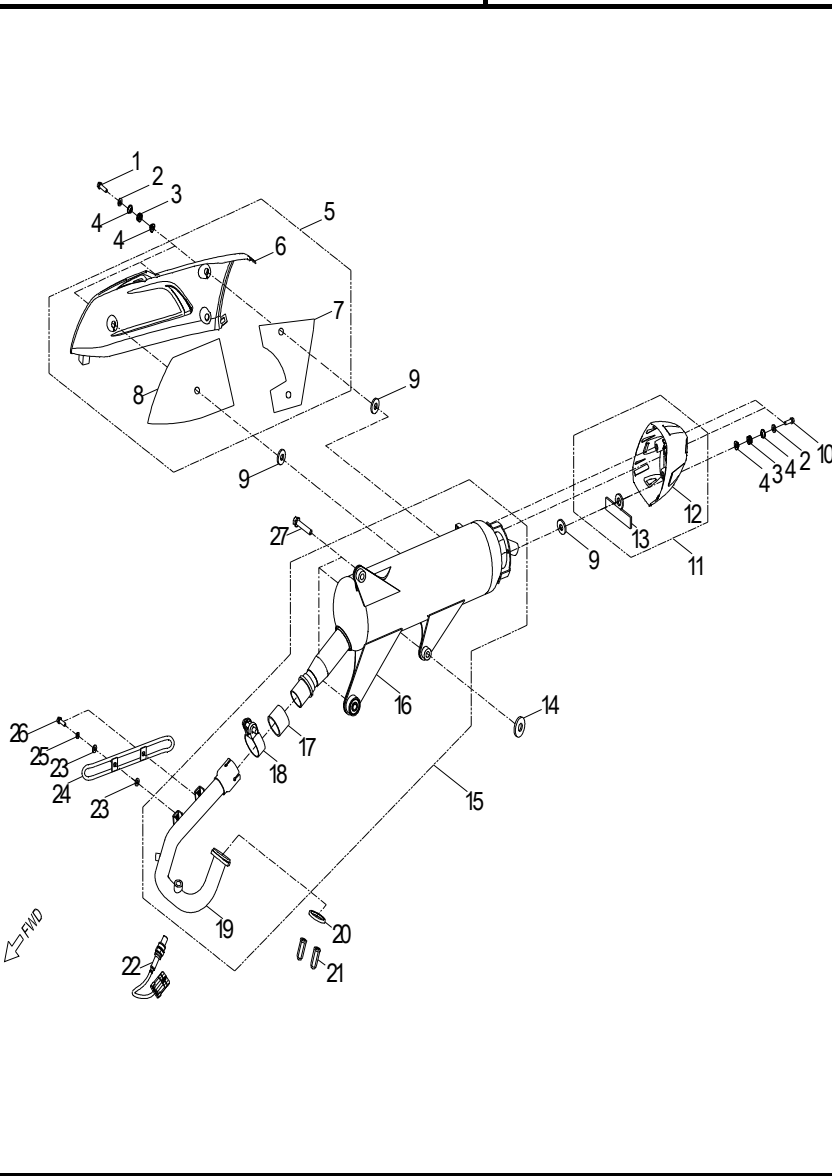


# D-15: AIR CLEANER



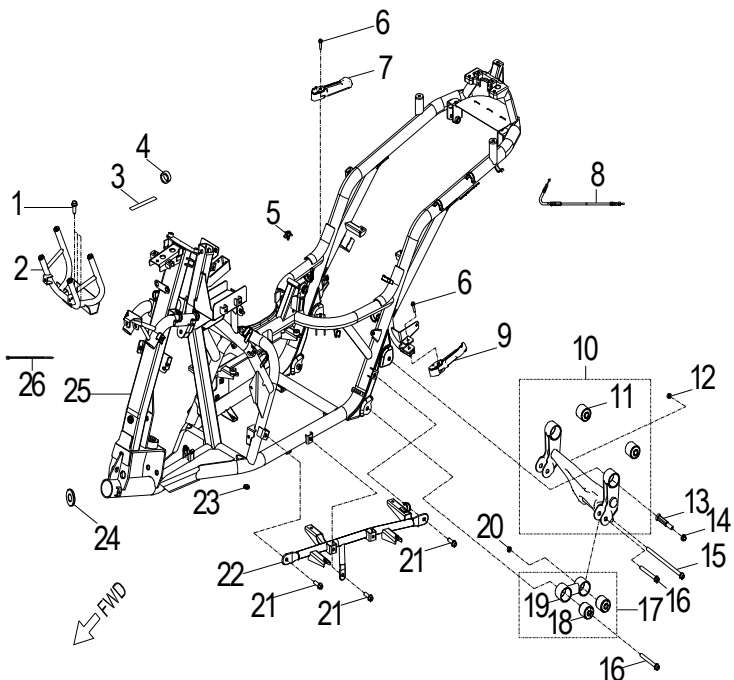
ITEM	DESCRIPTION	P/N	Q'TY	Note
1	Strap, Oil Hose	QS753211000	1	
2	Asm., Cleaner, Air	QS1720050S0	1	
3	Clip	QS51015000	1	
4	Tube, Breather, Ventilated	QS38150N000	1	
5	Clip	QS51014018	1	14*1.8
6	Plug, Trap	QS370201000	1	
7	Clip	QS51012012	2	12*1.2
8	Tube, Breather, Ventilated	QS381218000	1	
9	Strap	QS669225000	1	
10	Harness, IAT	QS1723962U0	1	
11	Clip	QS50812012	1	
12	Washer	QS94150071615000K	4	
13	Housing, Air Cleaner	QS1721850S0	1	
14	Clip	QS51013016	1	
15	Hose, Drain	QS40401014030	1	
16	Gasket	QS71662U000	2	
17	Filter, Air Cleaner	QS20562U000	1	
18	Kits, Cover, Air Cleaner	QS1722562U0	1	
19	Bolt	QS10005016800K	10	M5*P0.8*16L
20	Bolt	QS00006025800K	2	M6*P1.0*25L
21	Bolt	QS00005020808K	1	M5*P0.8*20L

## D-16: EXHAUST PIPE



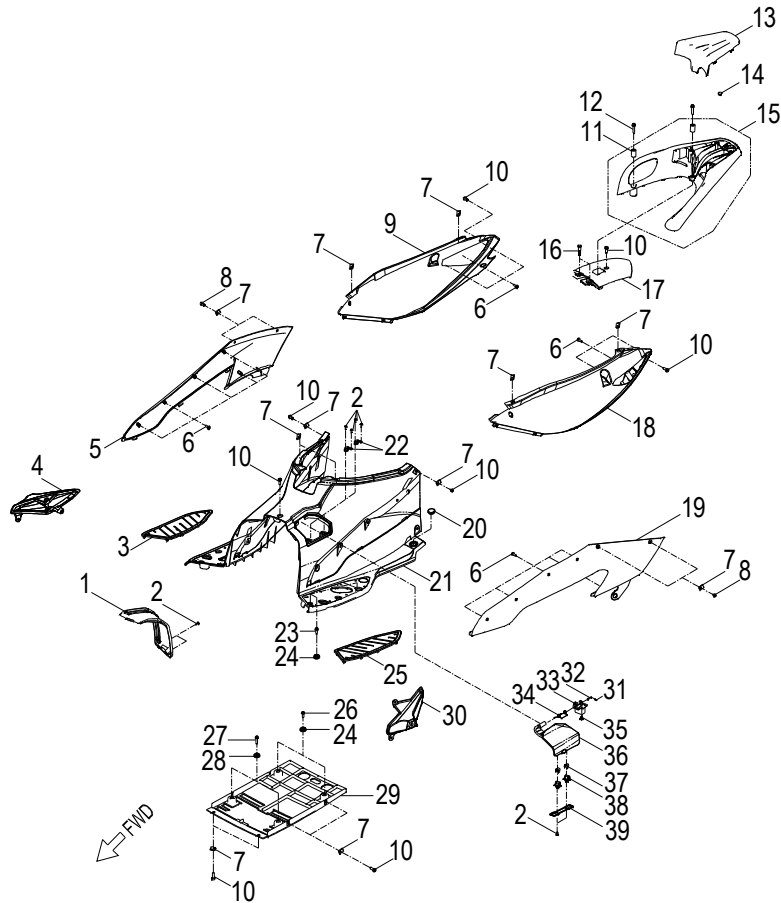
ITEM	DESCRIPTION	P/N	Q"TY	Note
1	Bolt	QS500060228SUL	3	
2	Washer	QS1060617002000	6	
3	Grommet	QS16129208000	6	
4	Washer	QS071900500B	12	
5	Asm., Shield, front Pipe, Exhaust	QS18290011850	1	
6	Shield, front Pipe, Exhaust	QS1830851T85	1	
7	Insulator, Silencer	QS20207000	1	
8	Insulator, Silencer	QS320206000	1	
9	Gasket	QS1020625300	6	
10	Bolt	QS500060258SUL	3	
11	Asm., Shield, Silencer	QS18290012131	1	
12	Shield, Silencer	QS31151T131	1	
13	Insulator, Silencer	QS183202040	3	
14	Washer	QS108102802500K	3	
15	Asm., Exhaust Pipe	QS18300284002	1	
16	Silencer	QS298244002	1	
17	Collar	QS321201000	1	
18	Clamp, Exhaust Pipe	QS18322203	1	
19	Pipe, Exhaust, Front	QS182992400	1	
20	Gasket	QS291S38000	1	
21	Nut	QS3010800000C	2	M8*P1.25
22	Sensor, O2	QS1833022R001	1	
23	Gasket	QS1020617030000	4	
24	Shield, Exhaust	QS18315S38	1	
25	Washer, Spring	QS1110711015SUS	2	
26	Bolt	QS00060168SUL	2	
27	Bolt	QS00010050800K	3	M10*P1.25*50L

D-17:FRAME BODY



ITEM	DESCRIPTION	P/N	Q'TY	Note
1	Bolt	QS0000601480KL	3	M6*P1.0*14L
2	Bracket, Screen	QS324S38000	1	
3	Trim, Rubber	QS811203000	3	
4	Rubber Tube	QS813201000	1	
5	Ground Cable, Battery	QS755202000	1	
6	Bolt	QS00006035800K	2	
7	Footpeg, RH	QS56062U000	1	
8	Cable, Seat Lock	QS77232208	1	
9	Footpeg, LH	QS55062U000	1	
10	Mount, Engine, Rear	QS350203000	1	
11	Bushing	QS401104540	2	
12	Nut	QS3551200017C	1	
13	Screw	QS02210060800K	2	
14	Nut	QS3551000017K	2	
15	Bolt	QS00012236814C	1	
16	Bolt	QS0001004880KL	4	M10*P1.25*48L
17	Linkage, Engine Mount	QS38062U000	2	
18	Bushing	QS410103530336	4	
19	Linkage	QS38162U000	2	
20	Nut	QS0501000000C	2	M10*P1.25
21	Bolt	QS00008014800K	3	M8*P1.25*14
22	Bracket, Floorboard, LH	QS5031669T	1	
23	Foam	QS502210000	1	
24	Cap, Dustproof	QS424208000	1	
25	Asm., Frame	QS50100429067	1	
26	Strap	QS569131000	2	

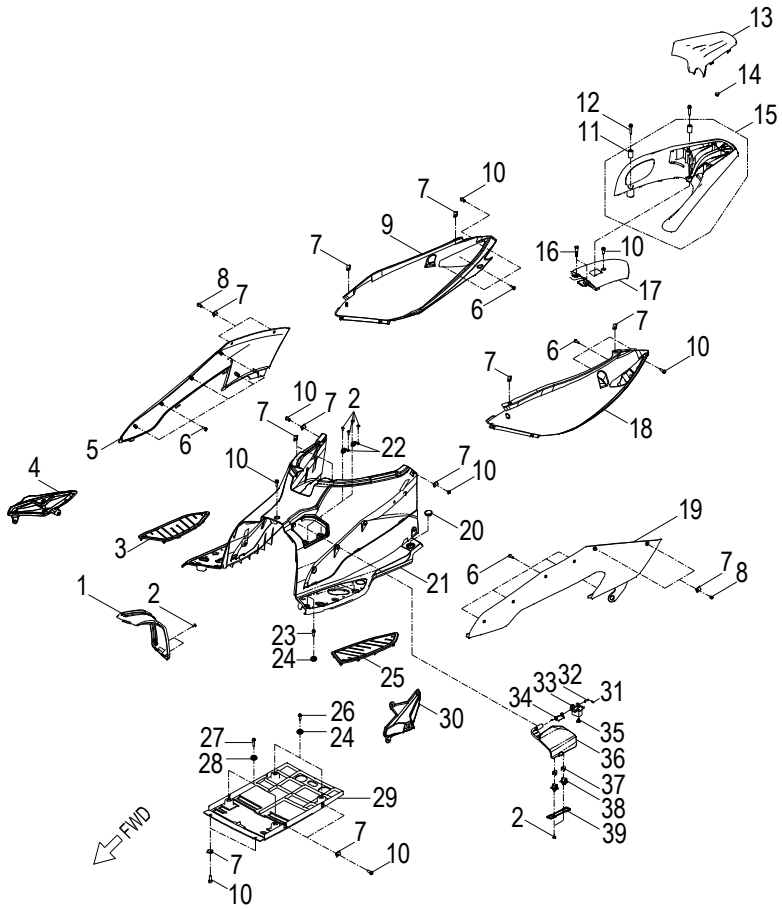
## D-18:SIDE COVER



ITEM	DESCRIPTION	P/N	Q"TY	Note	
1	Cover, Battery	QS31504S380	1		
2	Screw	QS903104012800K	8	M4*12L	
3	Floorboard, RH	QS6431569E070	1		
4	Mount, Signal Light( R)	QS83502S380	1		
5	Veneer, RH	QS50362U862	1		
6	Screw	QS903105012800K	16	M5*12L	
7	Nut-U	QS12120300B	18		
8	Bolt	QS00905012800K	4	M5*P0.8*12L W/Washer	
9	Panel, Side, RH	RAW BLACK SNOW WHITE SWISS RED TITANIUM GRAY	QS50062U131 QS50062U243 QS8350062U358 QS50062U850	1	
10	Bolt	QS00905016800K	15	M5*P0.8*16L W/Washer	
11	Spacer	QS5202000	3		
12	Bolt	QS00008028800K	3	M8*P1.25*28	
13	Cover, Rear handle rack	QS50338S38	1		
14	Cap, Plastic	QS81151S380	4		
15	Sissy Bar	RAW BLACK SNOW WHITE SWISS RED TITANIUM GRAY	QS105S38131 QS105S38243 QS50105S38358 QS105S38850	1	
16	Bolt	QS220204000	2		
17	Visor, Taillight	RAW BLACK SNOW WHITE SWISS RED TITANIUM GRAY	QS70462U131 QS70462U243 QS8370462U358 QS70462U850	1	
18	Panel, Side, LH	RAW BLACK SNOW WHITE SWISS RED TITANIUM GRAY	QS60062U131 QS60062U243 QS8360062U358 QS60062U850	1	
19	Veneer, LH	QS60362U862	1		
20	Plug, Rubbe, Hood	QS50424S36	2		
21	Floor	QS6422069T	1		
22	Bracket B, Filler cover	QS17639010	2		
23	Bolt	QS00706016800K	4	M6*P1.0*16L W/Washer	
24	Washer	QS150071707500K	6	φ6.5*φ17.5*t7.5	
25	Floorboard, LH	QS6431669E070	1		
26	Bolt	QS00006016810K	4	M6*P1.0*16L	
27	Bolt	QS00006022800K	2	M6*P1.0*22L	
28	Washer	QS150071705000K	2	φ7.1*φ17*t5	

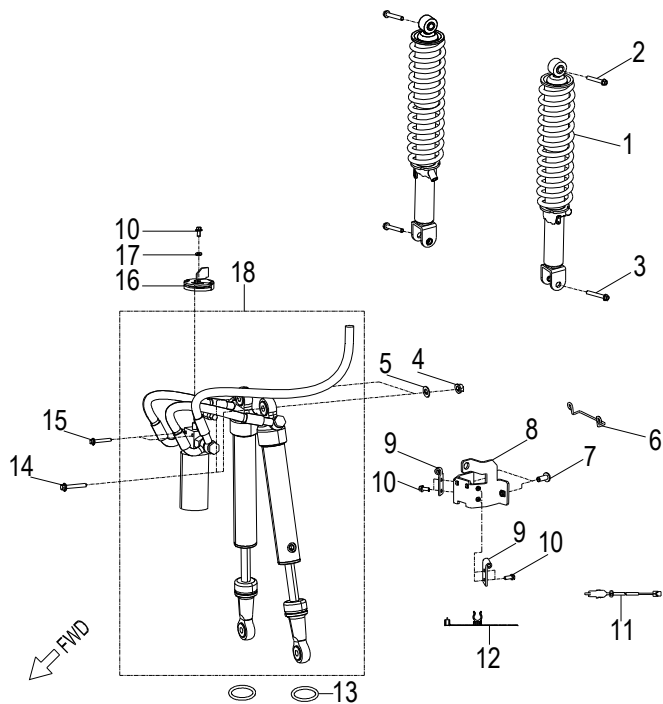


## D-18:SIDE COVER



ITEM	DESCRIPTION	P/N	Q'TY	Note
29	Shield, Chassis	QS10662B070	1	
30	Mount, Signal Light(L)	QS602S38000	1	
31	Cotter Pin	QS20312200	1	
32	Shaft, Filler Cover	QS30206059	1	
33	Mount, Filler Cover	QS1761969T	1	
34	Spring	QS4342169T	1	
35	Screw	QS903104008800K	3	M4*8L
36	Cover, Filler	QS1762469T	1	
37	Clip	QS77117010	2	
38	Fastener, Small Storage Box	QS77104S51	2	
39	Bracket, Filler cover	QS1763969T001	1	

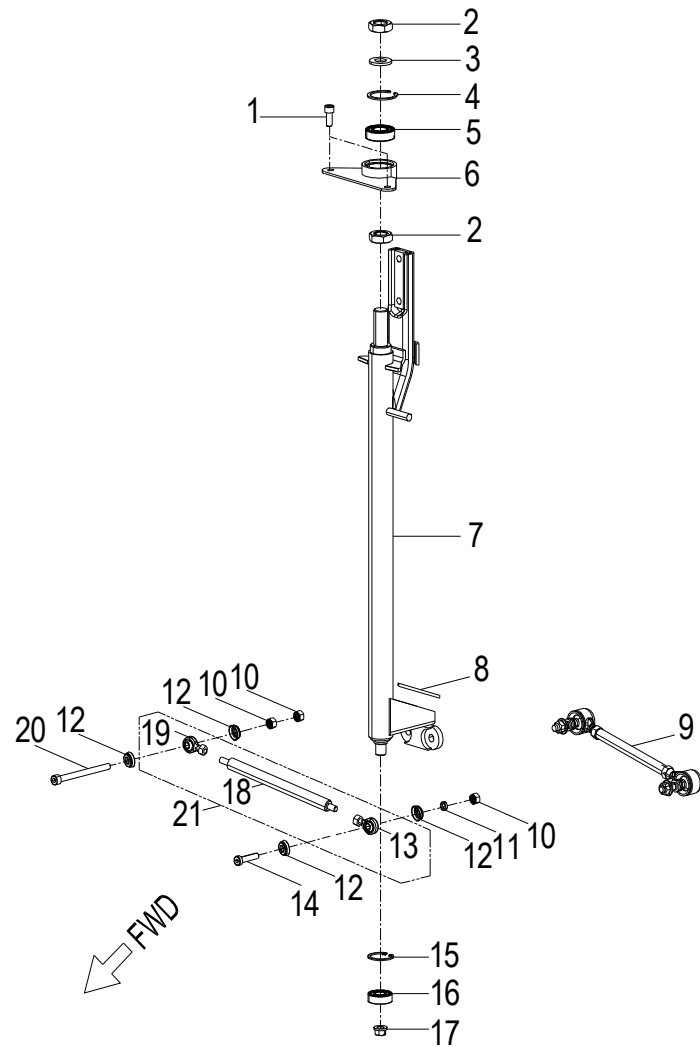
## D-19: SUSPENSION



ITEM	DESCRIPTION	P/N	Q'TY	Note
1	Asm., Suspension, Rear	QS52400259067	2	
2	Bolt	QS0001004080KL	2	M10*P1.25*40L
3	Bolt	QS0001004380KL	2	M10*P1.25*43L
4	Nut	QS3501000000C	2	M10*P1.25
5	Washer	QS101102202000K	2	φ10.1*φ22*t2
6	Hook, Oil Hose, Parking Brake	QS475S38000	1	
7	Bolt	QS00006020810K	2	M6*P1.0*20L
8	Bracket, HTS	QS096S38000	1	
9	Bracket, Pump, Parking Brake	QS099S38000	2	
10	Bolt	QS00005012800K	5	M5*P0.8*12L
11	Switch, HTS lock	QS926201000	1	
12	Strap, Oil Hose	QS753206000	1	
13	O-Ring	QS21003830	2	38*3
14	Bolt	QS0001004080KL	2	M10*P1.25*40L
15	Bolt	QS00005035800K	2	M5*P0.8*35L
16	Command Wheel, Pump, Parking Brake	QS145S38001	1	
17	Washer	QS101051901000K	1	φ5.1*φ19*t1
18	Asm., HTS	QS090S38002	1	



# D-20:STEERING

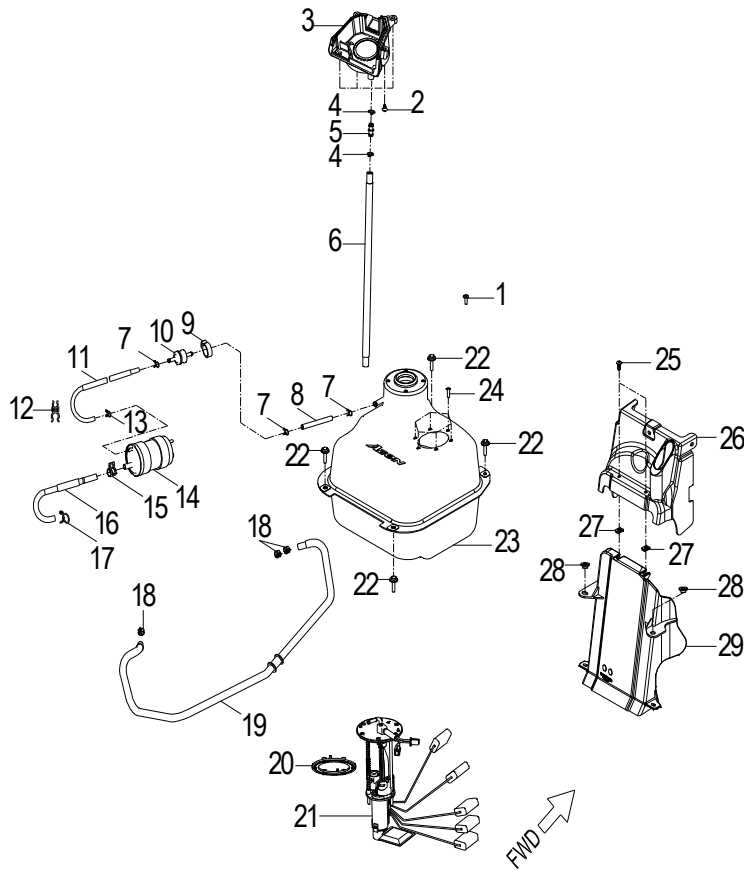


ITEM	DESCRIPTION	P/N	Q"TY	Note
1	Bolt	QS0000802080KL	2	M8*P1.25*20
2	Nut	QS0012001030B	2	
3	Washer	QS108202804500B	1	
4	Clip, Cir	QS5124200R	1	
5	Bearing, Ball	QS10060040LLU00	1	6004LLU
6	Flangette	QS111S38000	1	
7	Shaft, Steering	QS107S38001	1	
8	Trim, Rubber	QS50811204000	2	
9	Asm., Tie Rod (steering)	QS410S38000	2	
10	Nut	QS3550800014C	3	
11	Washer	QS101091203000B	2	8.5*12*3.0
12	Dustproof Cap	QS148S38000	8	
13	Rod end (LH)	QS53424S38	2	
14	Bolt	QS00008045800K	2	M8*P1.25*45
15	Clip, Cir	QS5123500R	1	
16	Bearing, Ball	QS10062020LLU00	1	6202LLU
17	Nut	QS0501200000C	1	M12*P1.25
18	Tie Rod	QS411S38000	2	
19	Rod end (RH)	QS53423S38	2	
20	Bolt	QS00008095800K	1	
21	Asm., Tie Rod	QS53411210	1	





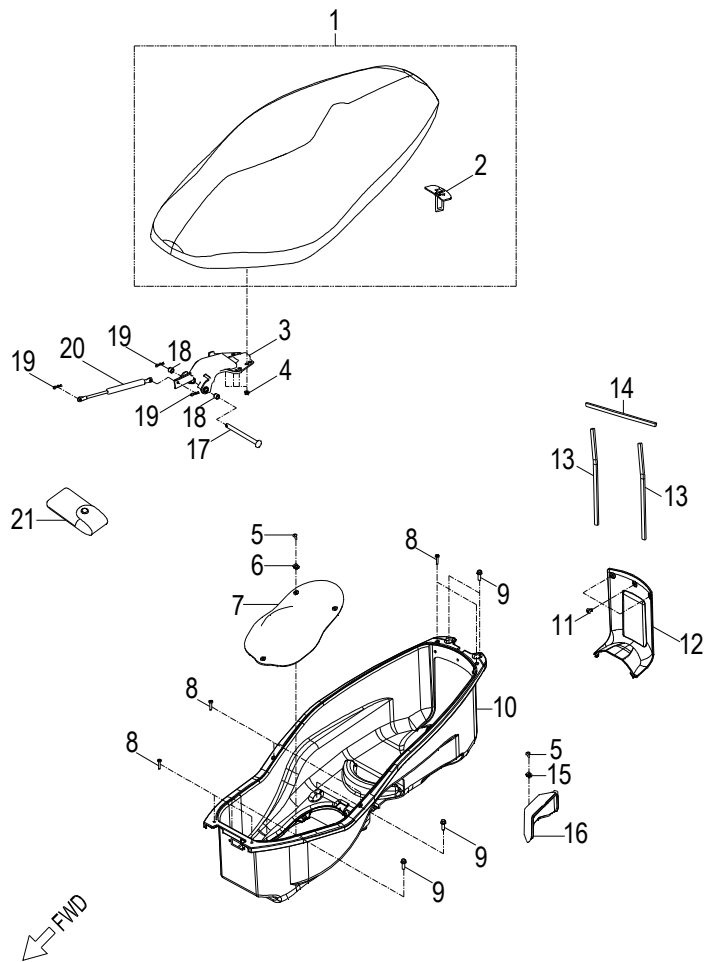
## D-21:FUEL TANK



ITEM	DESCRIPTION	P/N	Q"TY	Note
1	Bolt	QS10005012800K	1	M5*P0.8*12L
2	Screw	QS903104012800K	4	M4*12L
3	Fuel Cup	QS1751769T001	1	
4	Clip	QS50812012	2	
5	Harness, IAT	QS1723962U0	1	
6	Hose	QS11211205	1	
7	Clamp	QS51008000	3	
8	Fuel hose	QS40105009080	1	
9	Clamp, checkvalve	QS35169S36000	1	
10	Sensor, Anti-Fall	QS16320100000	1	
11	Fuel Hose, Discharge	QS1753269T	1	
12	Strap, Oil Hose	QS89753202	1	
13	Clip	QS51006500	1	
14	Active Carbon Can	QS1751336T000	1	
15	Clamp	QS51512008	1	12*8
16	Fuel Hose, Discharge	QS1753250T000	1	
17	Clip	QS51013016	1	
18	Clamp	QS52112006	3	
19	Fuel Hose	QS1752369T	1	
20	Foam	QS1750262B0	1	
21	Fuel Pump	QS520S38000	1	
22	Bolt	QS00706027800K	4	M6*P1.0*27L W/Washer
23	Asm., Tank, Fuel	QS1750069T	1	
24	Bolt	QS10005016800K	6	M5*P0.8*16L
25	Screw	QS903105014800K	2	
26	Heat Isolation Shield, Fuel Tank	QS1764262C	1	
27	Nut-U	QS61121204	2	
28	Washer	QS150071705000K	2	φ7.1*φ17*t5
29	Heat Isolation Shield, Fuel Tank	QS64262B000	1	



# D-22:SEAT

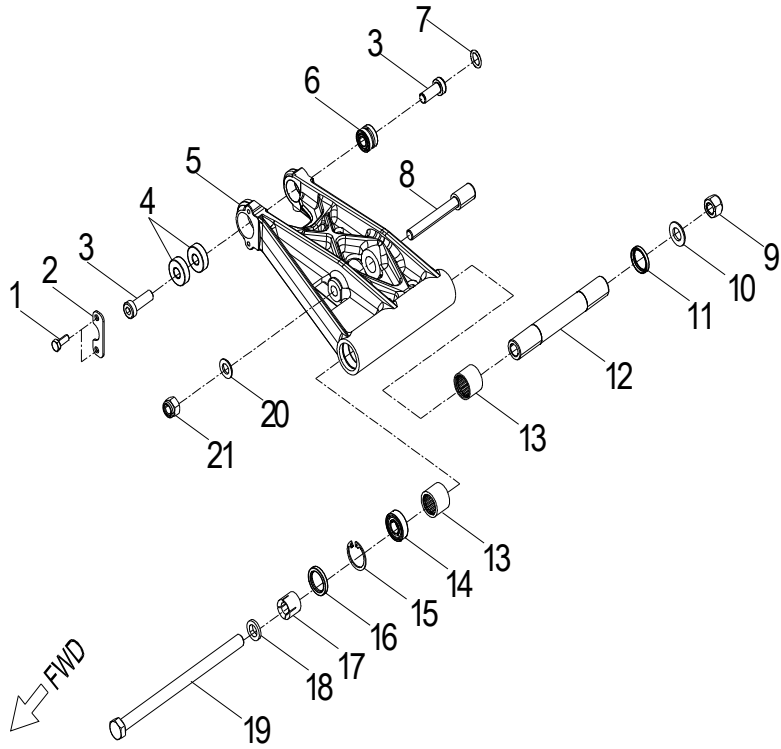


ITEM	DESCRIPTION	P/N	Q"TY	Note
1	Seat	QS77200289001	1	
2	Hook, Seat	QS210S38000	1	
3	Hinge, Seat	QS772012030	1	
4	Nut	QS0500600000K	4	M6*P1.0
5	Bolt	QS10005012800K	4	M5*P0.8*12L
6	Nut-U	QS12120300B	3	
7	Box Cover	QS20262K000	1	
8	Bolt	QS90205020900K	6	
9	Bolt	QS00706016800K	6	M6*P1.0*16L W/Washer
10	BOX	QS20769T000	1	
11	Rivet, Plastic	QS120153000	3	
12	Box Cover	QS202S38000	1	
13	Rubber, Small Storage Box	QS269209000	2	
14	Rubber, Small Storage Box	QS269208000	1	
15	Nut-U, M5	QS12120300C	1	M5*P0.8
16	Cover, Fuse, Box	QS27262K000	1	
17	Seat Fix Shaft	QS20362U000	1	
18	Bearing, Self-Lub	QS96101101210A0	2	
19	Cotter Pin	QS20312200	3	
20	Stopper	QS77259010	1	
21	Pouch, Tool	QS120214000	1	





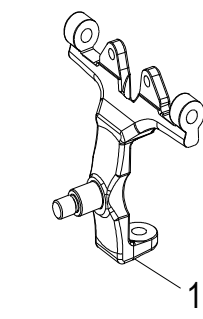
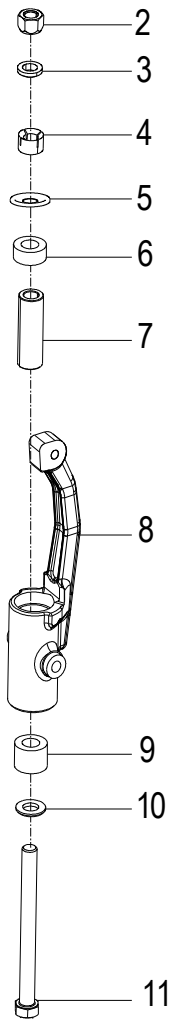
## D-24:A-ARM



ITEM	DESCRIPTION	P/N	Q"TY	Note
1	Bolt	QS00005016800K	4	M5*P0.8*16L
2	Stopper, Bearing, Front A Arm	QS093S38000	2	
3	Bolt	QS00010030800K	4	M10*P1.25*30L
4	Bearing, Ball	QS10060000LLU00	4	
5	Front A Arm	QS137001130	2	
6	Bearing	QS213RNA4900	2	
7	O-Ring	QS21001326	2	φ13.3x2.6
8	Bolt	QS092S38000	2	
9	Nut	QS3501200000K	2	M12*P1.25
10	Washer	QS101122402500K	2	
11	Seal, Oil	QS500202604NBR	2	
12	Tube, Spacer	QS810238000	2	
13	Bearing, Needle	QS200202620	4	
14	Bearing, Ball	QS10060010LLU00	2	6001LLU
15	Clip, Cir	QS5122800R	2	
16	Seal, Oil	QS500202804NBR	2	
17	Spacer	QS094201000	2	
18	Washer	QS095201000	2	12.1*20*5mm
19	Bolt	QS00012195814K	2	M12*P1.25*195L
20	Washer	QS101102202000K	2	φ10.1*φ22*t2
21	Nut	QS3501000000C	2	M10*P1.25

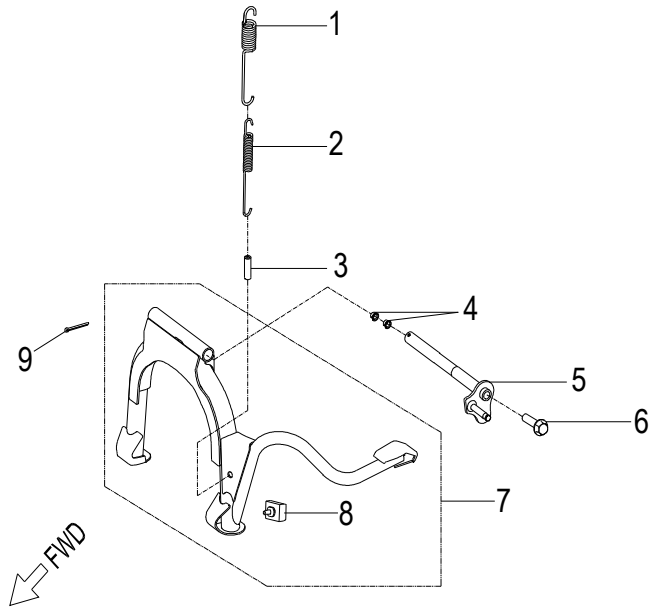
## D-25:KNUCKLE

ITEM	DESCRIPTION	P/N	Q"TY	Note
1	Turing Knuckle	QS44626010	2	
2	Nut	QS3501200000K	2	M12*P1.25
3	Washer	QS095201000	2	12.1*20*5mm
4	Spacer	QS094202000	2	
5	Cover, Bearing	QS149S38001	2	
6	Bearing, Ball	QS10062010LLU00	2	
7	Tube, Spacer	QS810239000	2	
8	Knuckle	QS51302010	2	
9	Bearing, Ball	QS10253201LLU00	2	
10	Washer	QS101132102000K	2	13*21*t2
11	Bolt	QS00012120814K	2	M12*P1.25*120L



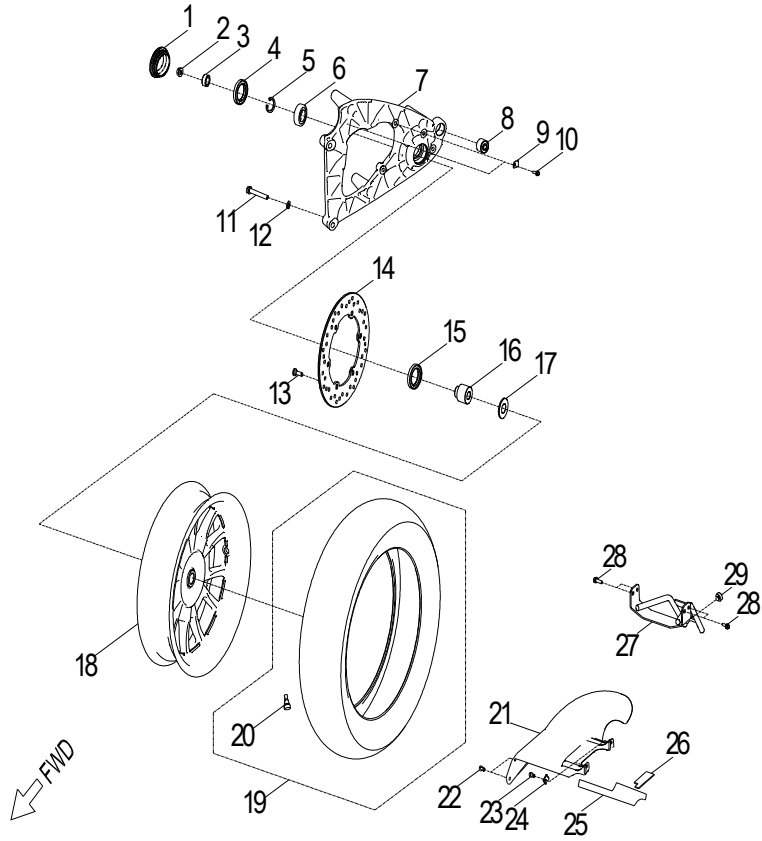


D-26:STAND



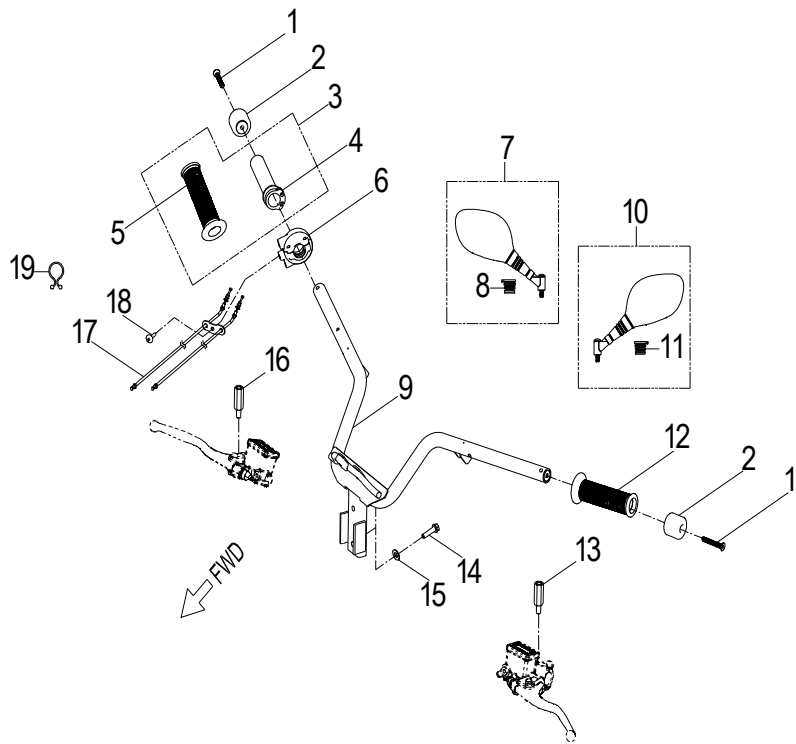
ITEM	DESCRIPTION	P/N	Q"TY	Note
1	Spring, Mianstand	QS5050662U0	1	
2	Spring, Mianstand	QS506201000	1	
3	Fuel hose	QS40105009050	1	
4	Bearing, Self-Lub	QS1014141610	2	
5	Shaft, Mainstand	QS503101000	1	
6	Bolt	QS00008022800K	1	M8*P1.25*22L
7	Mainstand	QS500S38003	1	
8	Main Stand Rubber	QS5050569T000	1	
9	Pin, Cotter	QS20132320	1	

# D-27:REAR WHEEL



ITEM	DESCRIPTION	P/N	Q"TY	Note
1	Hub Cover, Dust	QS52001010	1	
2	Nut	QS3551600024K	1	M16*1.5
3	Spacer	QS32162U000	1	
4	Seal, Oil	QS500253705NBR	1	
5	Clip, Cir	QS5124700R	1	
6	Bearing, Ball	QS10063030LLUC3	1	
7	Arm, Swing	QS000S38850	1	
8	Bushing	QS400102828	1	
9	Fastener, Speedometer Sensor	QS21362U000	2	
10	Bolt	QS00006010810K	2	M6*P1.0*10L
11	Bolt	QS0001005580KL	2	M10*P1.25*55L
12	Washer	QS101102202000K	2	φ10.1*φ22*t2
13	Bolt	QS016201000	6	
14	Disc, Brake	QS51162U000	1	
15	Seal, Oil	QS500254706NBR	1	
16	Spacer, Axle	QS31162U000	1	
17	Washer	QS101175003000B	1	
18	Rear Rim(Aluminum)	QS802S31067	1	
19	Tire	QS42811S38000	1	140/70-15"
20	Valve, Rim	QS616204000	1	
21	Rear Fender	QS11562U000	1	
22	Bolt	QS10005016800K	2	M5*P0.8*16L
23	Screw	QS10005025800K	2	
24	Nut-U	QS12120300B	2	
25	Gasket	QS33716209	1	
26	Rubber, Seat	QS32036T000	1	
27	Rear Fender	QS80125S34	1	
28	Bolt	QS00006012810K	4	M6*P1.0*12L
29	Rubber, Seat	QS64320203	1	

D-28:HANDLEBAR

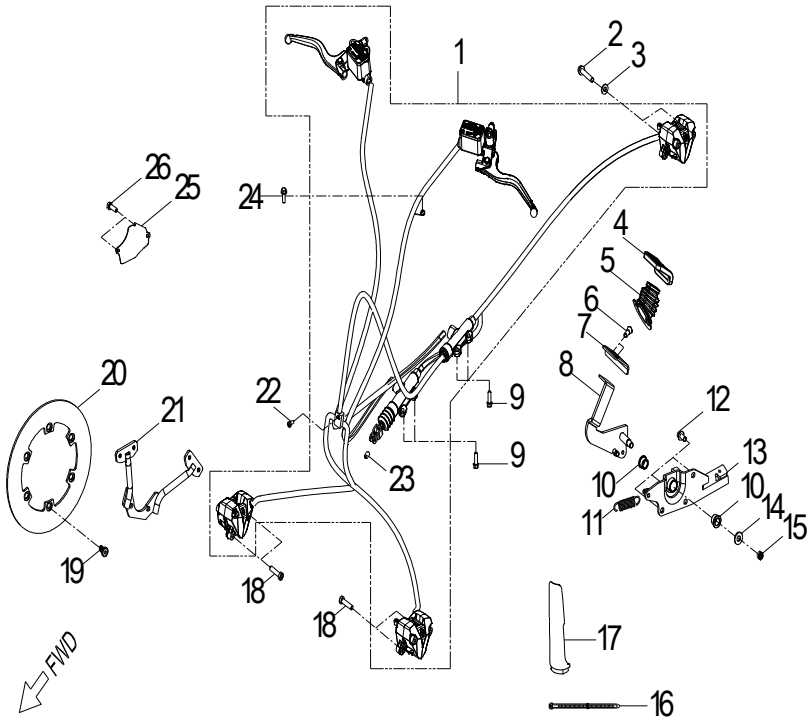


ITEM	DESCRIPTION	P/N	Q'TY	Note
1	Bolt	QS00006045800B	2	
2	Grip End	QS11662U850	2	
3	Asm., Grip, RH	QS160201001	1	
4	Sleeve, Grip, Throttle	QS18762U000	1	
5	Grip, Hand, RH	QS165201001	1	
6	Throttle Clamp	QS18862U000	1	
7	Mirror, Rh	QS88110218	1	
8	Boot, Mirror, RH	QS88131202	1	
9	Handlebar	QS100S38000	1	
10	Mirror, Lh	QS88120218	1	
11	Boot, Mirror, LH	QS88132202	1	
12	Grip, Hand, LH	QS166202001	1	
13	Conversion, Bolt, Mirror, R/L	QS20408045814K	1	
14	Bolt	QS0000803080KL	2	
15	Washer	QS101081801600K	2	
16	Conversion, Bolt, Mirror, R/L	QS20308045814K	1	
17	Cable, Throttle	QS910S38000	1	
18	Bolt	QS10005012800K	1	M5*P0.8*12L
19	Cable	QS755204000	1	





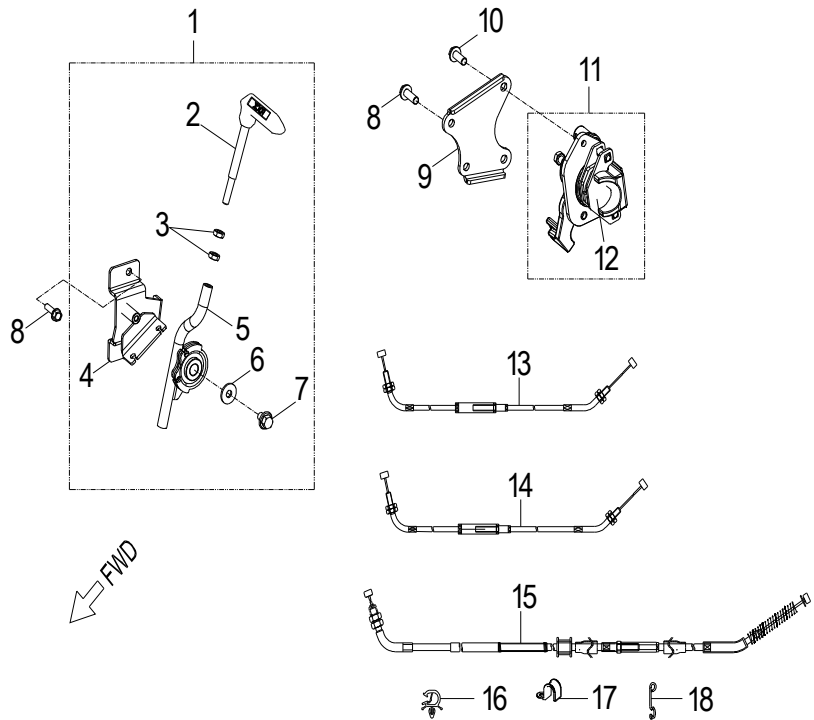
# D-29:FRONT BRAKE MASTER CYL



ITEM	DESCRIPTION	P/N	Q"TY	Note
1	Asm. Front and Rear Brake	QS030S38000	1	
2	Bolt	QS0000803880KL	2	
3	Washer	QS101081601000C	2	
4	Rubber Cover, Pedal, Foot Brake	QS488S38000	1	
5	Boot, Foot Brake	QS489S38000	1	
6	Bolt	QS9020601280CL	2	
7	Plate, Foot Brake	QS487S38000	1	
8	Lever, Foot Brake	QS493S38000	1	
9	Bolt	QS00006022800K	4	M6*P1.0*22L
10	Bushing	QS912201000	2	
11	Spring, Switch	QS422210000	1	
12	Bolt	QS0000801480KL	3	M8*P1.25*14L
13	Bracket, Foot Brake	QS494S38000	1	
14	Washer	QS101102202000C	1	$\phi 10.1 * \phi 22 * t2$
15	Nut	QS3501000000C	1	M10*P1.25
16	Strap	QS769206000	2	
17	Protection Cover , HTS	QS097S38000	2	
18	Bolt, Caliper, Brake	QS43209S38001	4	
19	Bolt	QS016S38000	12	
20	Disc, Front Brake	QS010S38000	2	
21	Bracket, Fender, Front wheel	QS854S38000	2	
22	Bolt	QS00006010800K	1	
23	Fastener, Pumper, Brake	QS45476S38000	1	
24	Bolt	QS00706016800K	1	M6*P1.0*16L W/Washer
25	Shield, Brake Hose	QS47262U000	1	
26	Bolt	QS00006012810K	2	M6*P1.0*12L



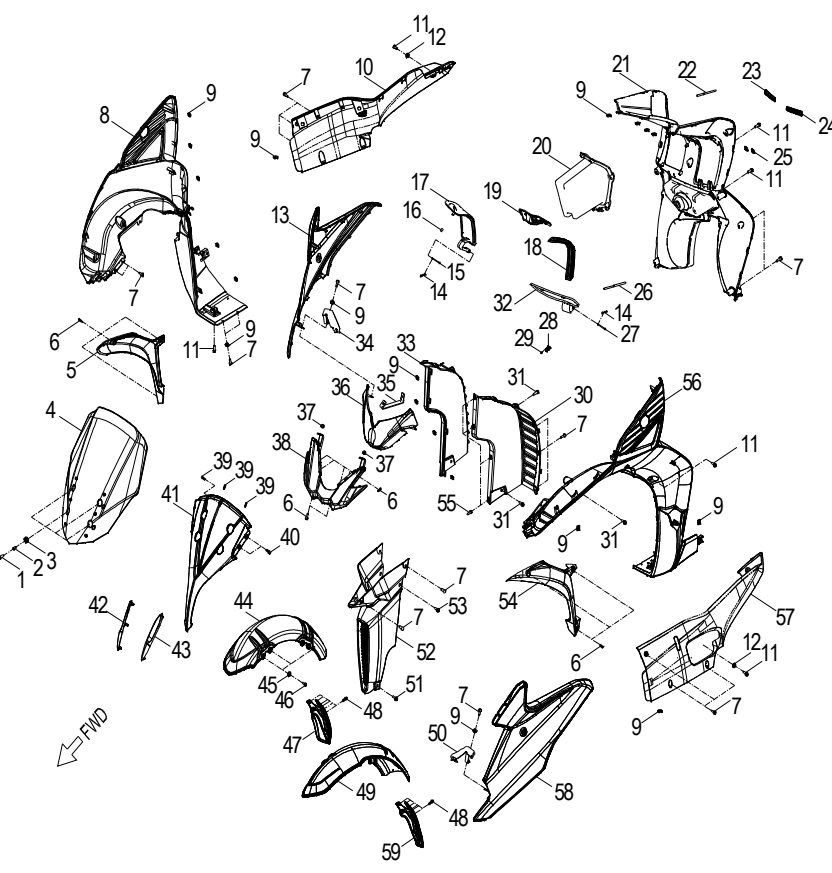
# D-30: PARK BRAKE LOCK



ITEM	DESCRIPTION	P/N	Q'TY	Note
1	Asm. Parking Brake Lever	QS930S38001	1	
2	Grip, Parking Brake	QS934S38001	1	
3	Nut	QS0500800000K	2	
4	Bracket, Parking Brake	QS932S38000	1	
5	Lever, Parking Brake	QS931S38000	1	
6	Washer	QS101061802000C	1	
7	Bolt	QS00006012810C	1	
8	Bolt	QS0000801680KL	4	M8*P1.25*16L
9	Bracket, Caliper, Parking Brake	QS208S38000	1	
10	Bolt	QS0000801280KL	2	M8*P1.25*12L
11	Asm., Caliper, Parking Brake	QS43200S38002	1	
12	Pads, Parking Brake	QS201202002	1	
13	Cable, Pump, Parking Brake(BLACK)	QS933S38000	1	
14	Cable, Pump, Parking Brake(BLUE)	QS933201000	1	
15	Cable, Parking Brake	QS706S38001	1	
16	Strap, Oil Hose	QS753201000	1	
17	Hook, Hose	QS351119000	1	
18	Cable Fastner	QS33862E000	1	

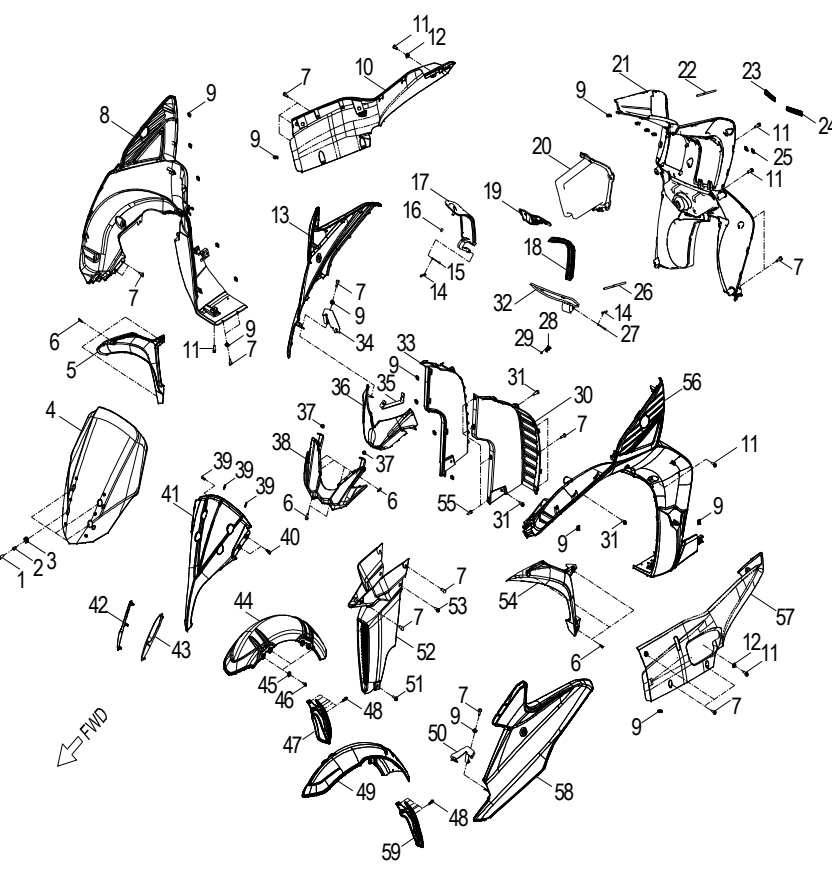


## D-31: WINDSHIELD



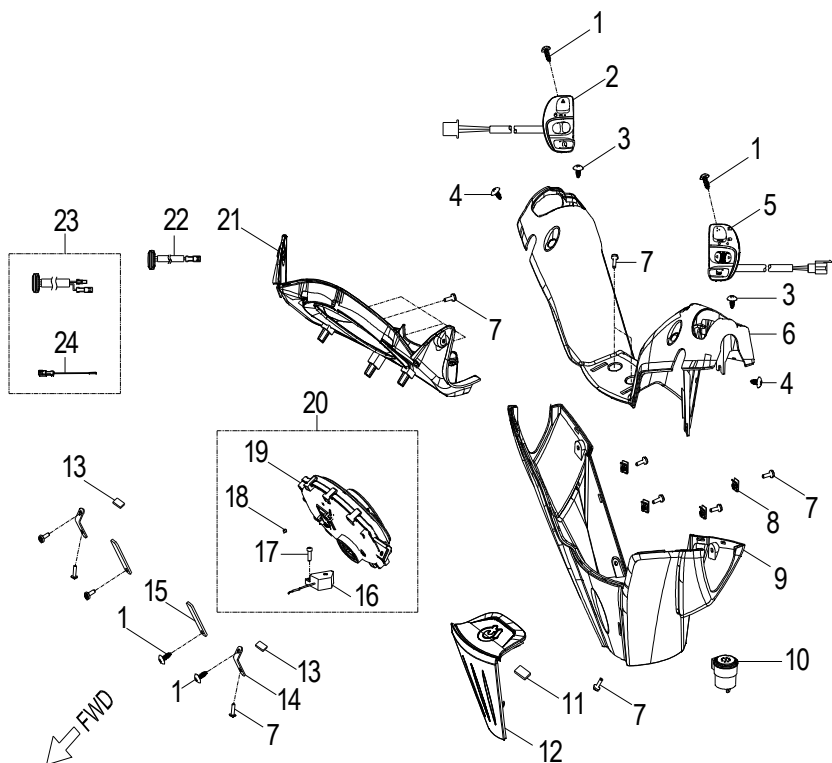
ITEM	DESCRIPTION	P/N	Q"TY	Note
1	Bolt	QS00706022800K	4	M6*P1.0*22L W/Washer
2	Tube, Spacer	QS810215000	4	
3	Grommet	QS129204000	4	
4	Screen	QS311S38112	1	
5	Front Shield Lateral (RH)	RAW BLACK SNOW WHITE SWISS RED TITANIUM GRAY	1	
6	Screw	QS903105014800K	26	
7	Bolt	QS00905016800K	30	M5*P0.8*16L W/Washer
8	Front Shield Upper Element(RH)	QS80127201	1	
9	Nut-U	QS12120300B	48	
10	Panel, Bottom, RH	RAW BLACK SNOW WHITE SWISS RED TITANIUM GRAY	1	
11	Bolt	QS00706016800K	9	M6*P1.0*16L W/Washer
12	Washer	QS150071705000K	2	φ7.1*φ17*t5
13	Front Cover, RH	RAW BLACK SNOW WHITE SWISS RED TITANIUM GRAY	1	
14	Cotter Pin	QS20312200	2	
15	Shaft, Filler Cover	QS30206059	1	
16	Plug, Rubbe, Hood	QS424S38000	1	
17	Cover, Glove Box	QS134S38000	1	
18	Rubber , Parking Brake Lever	QS708S38001	1	
19	Cover, Main Switch	QS109S38862	1	
20	Glove Box	QS271S38001	1	
21	Inner Box	QS131S38000	1	
22	Rubber Seal, Glove Box	QS43205000515	1	
23	Cover, Heating(R)	QS147S38000	1	
24	Cover, Heating(L)	QS146S38000	1	
25	U-Nut	QS3450400002T	2	M4*P0.6
26	Rubber Seal, Glove Box	QS43205006750	1	
27	Shaft, Filler Cover	QS30206045	1	
28	Fastener, Small Storage Box	QS104S38000	2	
29	Screw	QS907103008800K	4	
30	Radiator Cover, LH	QS118S38000	1	
31	Bolt	QS00006016810K	6	M6*P1.0*16L

## D-31:WINDSHIELD



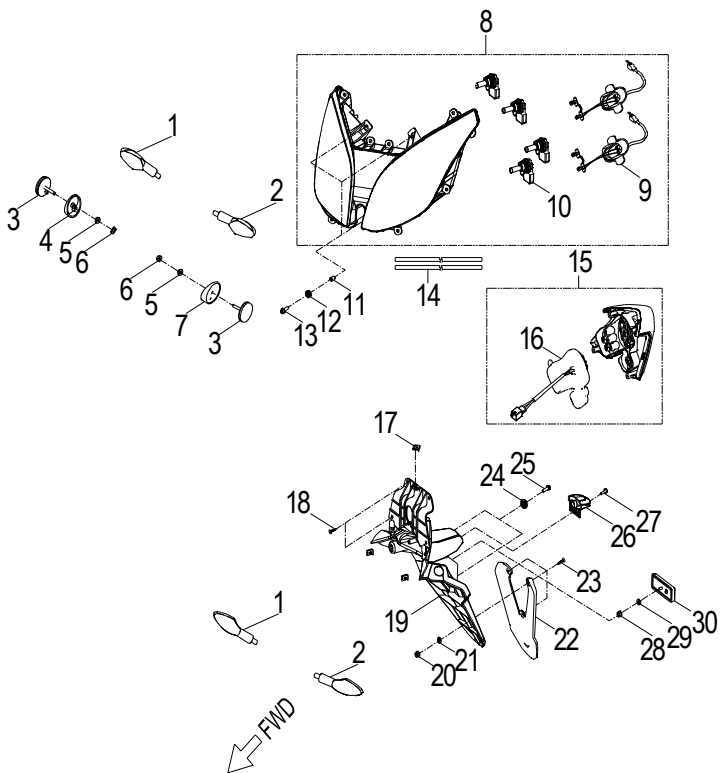
ITEM	DESCRIPTION	P/N	Q"TY	Note	
32	Cover, Small Storage Box	QS227S38862	1		
33	Radiator Cover, RH	QS119S38000	1		
34	Bracket, Front Cover, RH	QS294S38000	1		
35	Brackect, Front Cover, Middle	QS292S38000	1		
36	Shield Element, Front Upper	RAW BLACK	QS291S38131	1	
		SNOW WHITE	QS291S38243		
		SWISS RED	QS291S38358		
		TITANIUM GRAY	QS291S38850		
37	Nut	QS0500500000C	2	M5*P0.8	
38	Shield Element, Front Lower	QS153S38000	1		
39	Screw	QS903305010800K	3		
40	Rivet, Plastic	QS120153000	4		
41	Cover, Headlight	QS321S38000	1		
42	Veneer, RH	QS50350N070	1		
43	Veneer, LH	QS60350N070	1		
44	Fender, Front, RH	QS853S38001	1		
45	Washer	QS150071707500K	8	φ6.5*φ17.5*t7.5	
46	Bolt	QS910030601680	8		
47	Rubber Mudguard, Fender	QS61115206001	1		
48	Rivet, Plastic	QS120204000	12		
49	Fender, Front, LH	QS852S38001	1		
50	Bracket, Front Cover, LH	QS293S38000	1		
51	Bolt	QS00706012800K	2	M6*P1.0*12L	
52	Cover, HTS	QS860S38000	1		
53	Bolt	QS00706012800K	2	M6*P1.0*12L	
54	Front Shield Lateral (LH)	RAW BLACK	QS151S38131	1	
		SNOW WHITE	QS151S38243		
		SWISS RED	QS151S38358		
		TITANIUM GRAY	QS151S38850		
55	Bolt	QS10005016800K	6	M5*P0.8*16L	
56	Front Shield Upper Element(LH)	QS80126201	1		
57	Panel, Bottom, LH	RAW BLACK	QS8360169T131	1	
		SNOW WHITE	QS8360169T243		
		SWISS RED	QS8360169T358		
		TITANIUM GRAY	QS8360169T850		
58	Front Cover, LH	RAW BLACK	QS001S38131	1	
		SNOW WHITE	QS001S38243		
		SWISS RED	QS001S38358		
		TITANIUM GRAY	QS001S38850		
59	Rubber Mudguard, Fender	QS61115205001	1		

## D-32:ASM SPEEDOMETER



ITEM	DESCRIPTION	P/N	Q"TY	Note
1	Screw	QS903105012800K	11	M5*12L
2	Switch, Handle, RH	QS870S3500000	1	
3	Screw	QS903104016800K	2	
4	Screw	QS903105014800K	2	
5	Switch, Handle, LH	QS86062U000	1	
6	Pod, Upper, Handlebar	QS211S38000	1	
7	Bolt	QS00905012800K	13	M5*P0.8*12L W/Washer
8	Nut-U	QS12120300B	4	
9	Cover, Handlebar, Lower	QS212S38000	1	
10	Relay, Signal	QS302209000	1	
11	Foam, battery	QS113153000	1	
12	Pod, Handlebar	QS222S38862	1	
13	Rubber, Seat	QS320204000	2	
14	Bracket, Speedometer	QS208204000	2	
15	Bracket, Speedometer	QS208205000	2	
16	Sensor, Speedometer	QS206204000	1	
17	Bolt	QS50004012800C	2	M4*P0.6*12L
18	Magnet, Speedometer	QS203208000	2	
19	Speedometer	QS205239001	1	
20	Asm., Speedometer	QS200239001	1	
21	Speedometer Cover	QS191204000	1	
22	Coolant Meter	QS931201001	1	
23	Thermometer	QS932201001	1	
24	Sensor, Temperature	QS32124S38000	1	

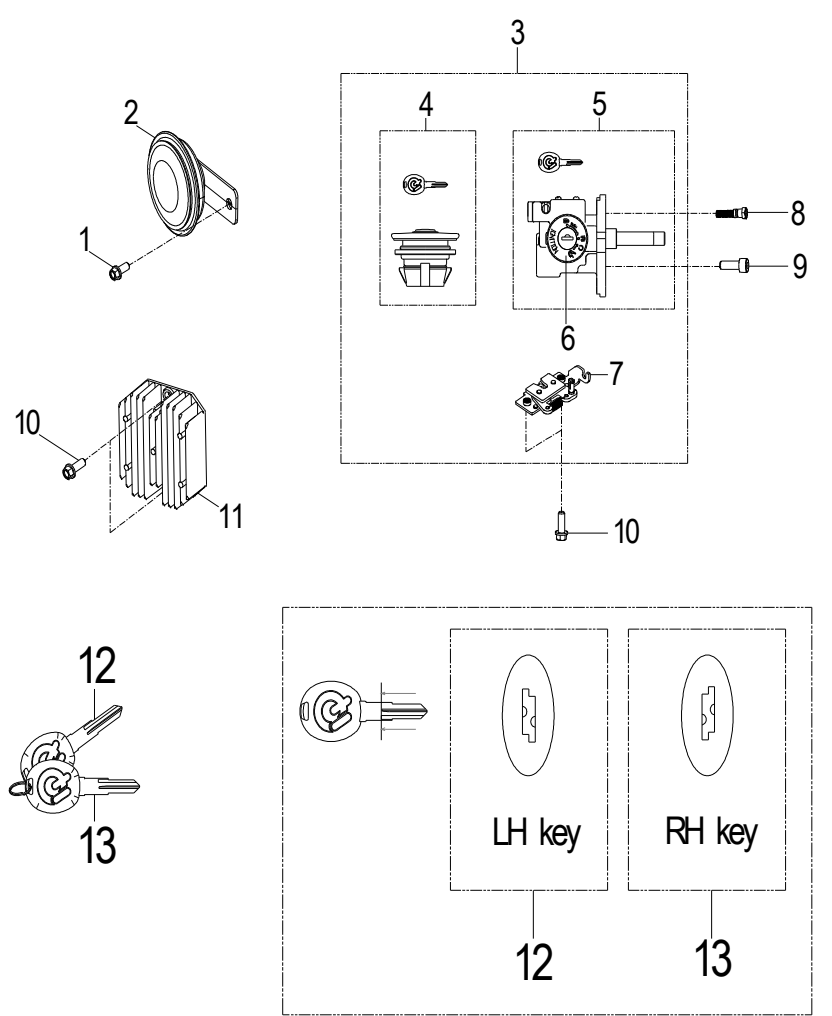
### D-33:LIGHTS



ITEM	DESCRIPTION	P/N	Q"TY	Note
1	Asm., Signal, Front/Rear RH	QS400219000	2	
2	Asm., Signal, Front/Rear, LH	QS450219000	2	
3	Reflector	QS33741209	2	
4	Base, reflector RH	QS33421010000	1	
5	Washer	QS94101061901000C	2	φ6.1*φ19*t1
6	Nut	QS35006000000K	2	M6*P1.0
7	Base, reflector LH	QS33422010	1	
8	Asm., Headlight	QS100237000	1	
9	Led Light Comp	QS202202001	2	
10	Bulb, Headlight	QS901222000	4	
11	Tube, Spacer	QS810215000	3	
12	Grommet	QS129204000	3	
13	Bolt	QS00706020800K	3	
14	Foam	QS19626S380	2	
15	Asm., Taillight	QS70062U001	1	
16	Led Light Comp	QS202203002	1	
17	Nut-U	QS12120300B	3	
18	Screw	QS903105012800K	4	M5*12L
19	License Plate	QS70862U001	1	
20	Nut	QS35005000000K	3	M5*P0.8
21	Washer	QS101051401000K	3	φ5.1*φ14*t1
22	Guard, Mud	QS11362U000	1	
23	Bolt	QS10005016800K	3	M5*P0.8*16L
24	Washer	QS150071705000K	2	φ7.1*φ17*t5
25	Bolt	QS00706016800K	2	M6*P1.0*16L W/Washer
26	Asm., License Light	QS750202000	1	
27	Bolt	QS10005016800K	1	M5*P0.8*16L
28	Nut	QS05005000000C	1	M5*P0.8
29	Washer	QS101051401000K	1	φ5.1*φ14*t1
30	Reflector	QS741201000	1	

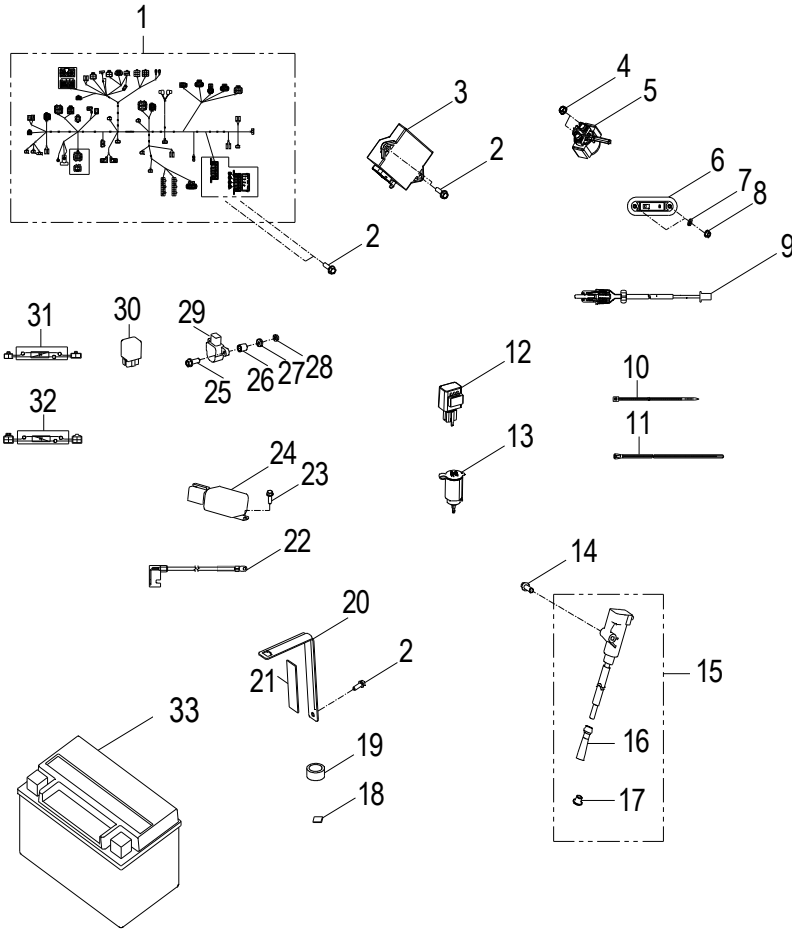
### D-34: MAIN SWITCH/ HORN/ REG.

ITEM	DESCRIPTION	P/N	Q"TY	Note
1	Bolt	QS0000801280KL	1	M8*P1.25*12L
2	Horn	QS110119000	1	
3	Asm., Main Switch	QS35010182	1	
4	Cap, Fuel	QS17623211	1	
5	Switch, Main	QS35102182	1	
6	Cap, Lock, hood	QS35112203000	1	
7	Lock striker	QS23162U000	1	
8	Shear-Bolt	QS2000602080B1	1	
9	Bolt	QS00006016800K	1	
10	Bolt	QS00006016810K	4	M6*P1.0*16L
11	Rectifier/ Regulator	QS3160069T	1	
12	Key(LH)	QS35012213002	1	
13	Key(RH)	QS35011213002	1	





D-35: ELECTRICAL PARTS



ITEM	DESCRIPTION	P/N	Q"TY	Note
1	Harness, Main Wire	QS32100313002	1	
2	Bolt	QS00006016810K	5	M6*P1.0*16L
3	Electroni Control Unit, ECU	QS44069E001	1	
4	Nut	QS0500600000K	2	M6*P1.0
5	Starter Relay	QS38501216	1	
6	Lamp, Storage Box	QS261201000	1	
7	Washer	QS101041201000K	2	φ4*φ12*t1
8	Nut	QS3500400000K	2	M4*P0.6
9	Switch, Lamp, Storage Box	QS26262U000	1	
10	Strap	QS569131000	50	
11	Strap	QS769111000	1	
12	Relay, Parking	QS701201000	1	
13	Power Supplier	QS130S38000	1	
14	Bolt	QS00006035800K	1	
15	Asm., Ignition Coil	QS51151T001	1	
16	Cap, Spark Plug	QS60051T000	1	
17	Insulator Coil	QS60551T000	1	
18	Foam, battery	QS113203000	1	
19	Rubber Tube	QS813201000	1	
20	Bracket, Battery	QS31502S380	1	
21	Foam, battery	QS113208000	1	
22	Asm., Battery Cable	QS001210000	1	
23	Bolt	QS00006010810K	1	M6*P1.0*10L
24	Relay, EFI	QS3850262U0	1	
25	Bolt	QS00005020800C	2	
26	Spacer	QS311206000	2	
27	Foam	QS502210000	2	
28	Nut	QS0500500000C	2	M5*P0.8
29	Switch, Topples Over	QS16262U000	1	
30	Relay, Thermo Switch	QS42951T000	1	
31	Wire, Diode, Starter Relay	QS32121202001	1	
32	Wire, Diode, Fan Relay	QS32121203001	1	
33	Battery	QS50039A001	1	









